

CADETTA

The perfect machine for any business entering the premium coffee market. The Cadetta offers Brasilia's superb build quality along with delicious tasting coffee making it the perfect choice for a full range of venues. With its top specification, large boiler and striking design style, the Cadetta fits comfortably in any environment. It's simple to operate, extremely reliable and it's great coffee will keep customers coming back for more.



STANDARD HEIGHT SEMI AUTO

STANDARD HEIGHT AUTO



TALL CUP AUTO

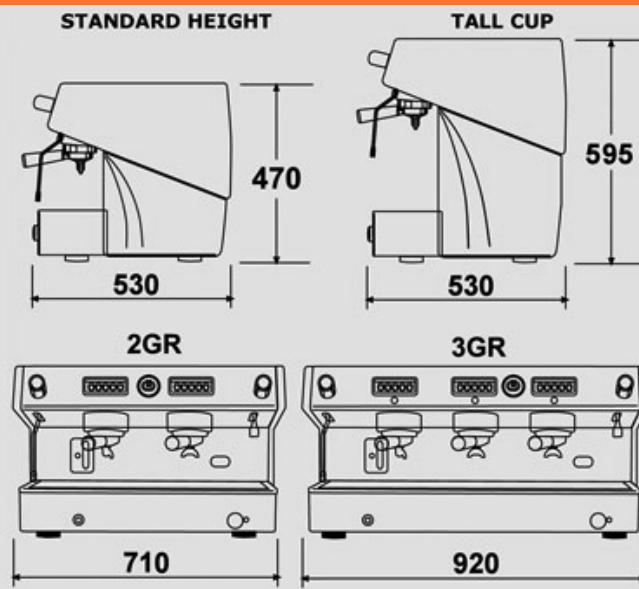
KEY FEATURES

- Traditional espresso machine with classic polished stainless steel design style with moulded side / back panels
- Available with either fully automatic delivery system that caters for all cup volumes or continuous push-button delivery system
- 1 Swivelling steam arm
- 1 Moveable hot water tap to fill teapots or Americanos
- Cup warmer means drinks stay hot for longer
- Brew groups can be arranged for use with coffee pods making it ideal for decaffeinated, origin coffees, special blends and ground coffee
- Boiler water level gauge / automatic boiler water level
- Rossi brewing system

OPTIONS / AVAILABILITY

- 2 or 3 groups
- Standard height or tall cup
- Automatic or semi-automatic operation (semi auto on standard height only)

SPECIFICATIONS



Groups	Model	Boiler Capacity	Voltage	Heating Elements	Electrical Input	Weight	Dimensions
2	Std Height	11.4 litre	240 V / 50 Hz / 1	3500W	15.4A	63 kg	W710 x H470 x D530
3	Std Height	18.0 litre	240 V / 50 Hz / 1	5000W	21.7A	72 kg	W920 x H470 x D530
2	Tall Cup	11.4 litre	240 V / 50 Hz / 1	3500W	15.4A	69 kg	W710 x H595 x D530
3	Tall Cup	18.0 litre	240 V / 50 Hz / 1	5000W	21.7A	79 kg	W920 x H595 x D530